

Communication

Various communication boards are available to provide communication links between the APC and overriding control systems.

AF100

Advant Fieldbus 100 is a high-speed serial bus, which is used for communication between APCs or between an APC and an overriding system such as ABB's Advant Controller AC400-family. The bus administrator board CI626 (BA) is needed for controlling the bus when not using the Advant Controller AC450. The communication board YPK112A is used to connect the APC to the Advant Fieldbus 100.

UART Board YPK113A

The UART board, YPK113A, is used to communicate with other overriding systems. Protocols for Siemens Simatic S5 and Allen Bradley DH are available together with SAMI protocol.

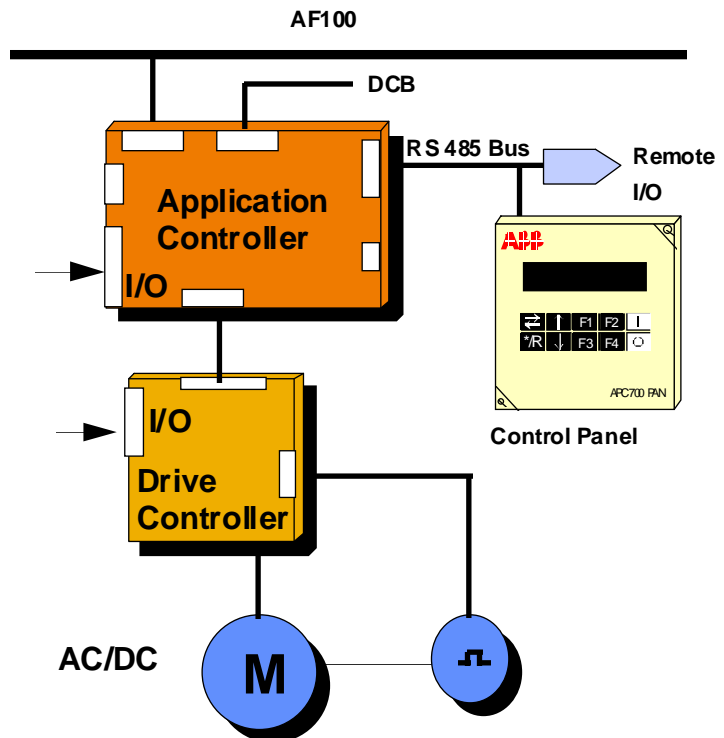
Control Panel

The optional Control Panel offers a user-friendly means to communicate with the drive.

- Different languages defined by application program
- 2x20 character display
- Simple operation with 10 pushbuttons (membrane panel well suited to industrial environments)
- Common for AC and DC drives
- Door mounted

The Control Panel provides the following information and functions:

- Status information (run, ready, fault messages)
- Operational control with 4 freely programmable pushbuttons
- Display of reference values (speed, torque)
- Display of actual values (speed, voltage, current)
- Display of fault logger contents
- Uploading, downloading, changing, displaying and saving the Application Controller APC and Drive Controller DDC parameters.



Commissioning and Programming

Commissioning, maintenance and programming is easy with the dedicated Windows™ based PC programs.

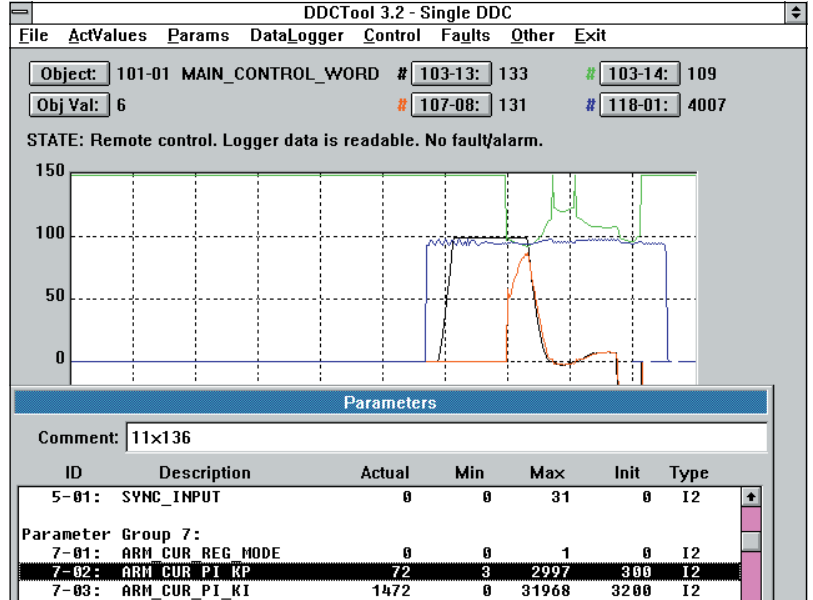
Digital-Drive-Control-Tool (DDCTool) for Commissioning and Maintenance

DDCTool is ABB's new PC program, common for both AC and DC drives.

- Runs under Microsoft® Windows™
- Intuitive, easy-to use
- Graphical User Interface
- Fast response

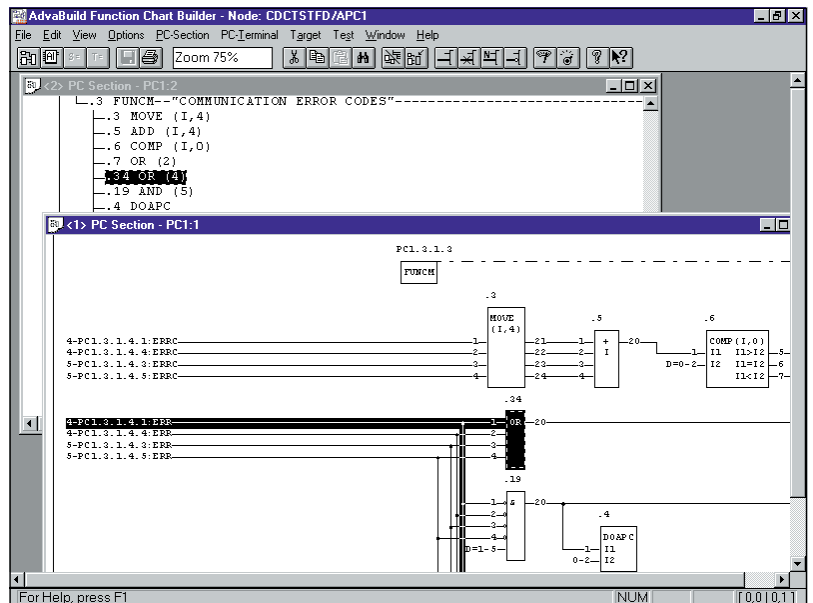
The DDCTool offers the following functions:

- Monitoring of reference and actual values
- Setting, changing, saving, uploading, downloading, and restoring of parameters
- Controlling and displaying data loggers
- Display and clear of the fault logger
- Selection of target drives in multi-drive applications



Engineering Tool for Individual Programming

The application controller (APC2) is a programmable controller by using Adva Build for Windows (FCB).



Microsoft and MS-DOS are registered trade marks, and Windows is a trade of the Microsoft corporation.